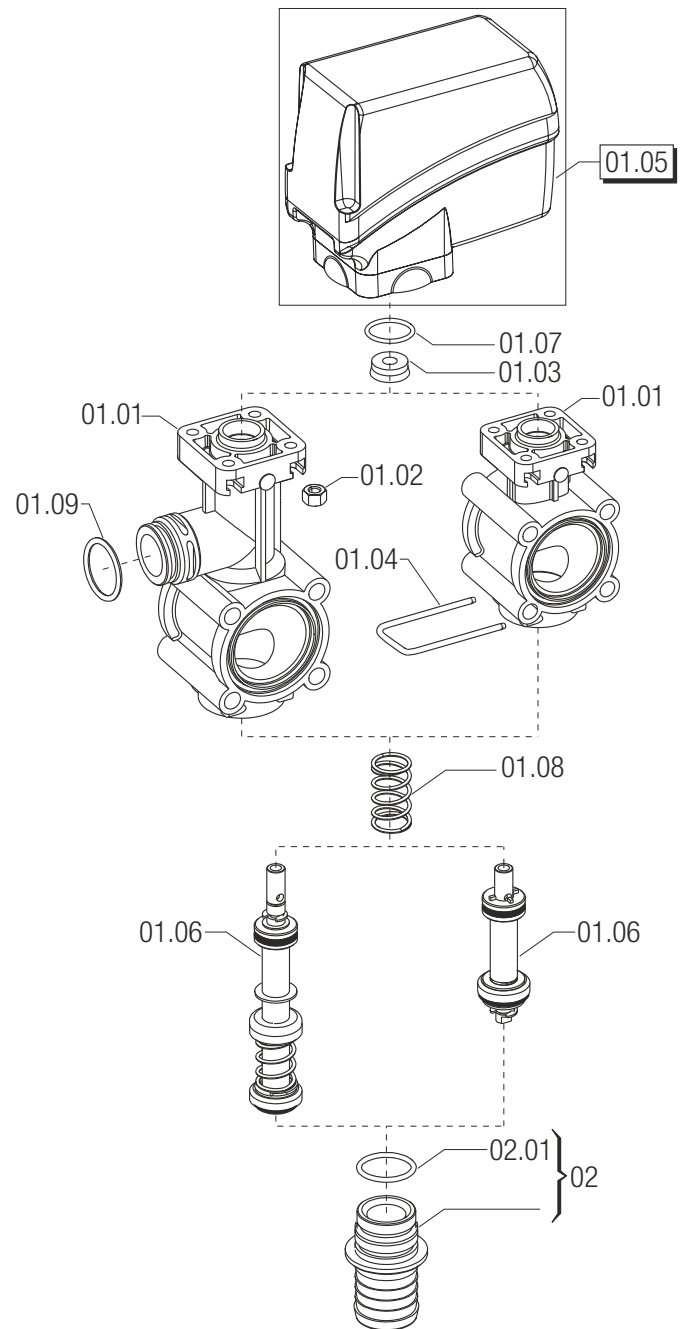
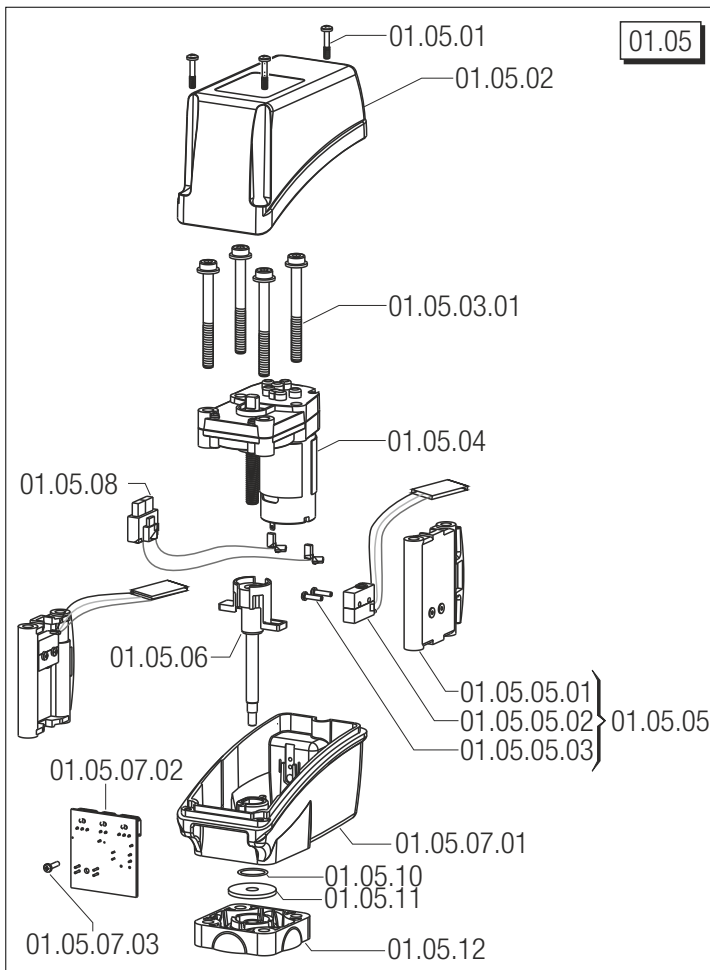


8730001

BOOM SECTION VALVES 873
Electric boom section valve


SPARE PARTS



REFERENCE	CODE	DESCRIPTION
01.01	4730001.010	HIGH RATE SIMPLE VALVE BODY
01.02	B10232	NUT M 5X8X5 UNI5587 * INOX
01.03	465900.180	GASKET 4X18,7X6,6 VITON
01.04	010003	FORK D.3 DIST.29
01.05	8650900	MOTORIDUTTORE R=1:24 12W 5,5MM
01.05.01	V6B21F	SELF-THREADED SCREW 2,9X15 * INOX
01.05.02	8650900.030	GUSCIO SUPERIORE MOTORID.
01.05.03.01	V1Q130	SCREW TCEI FL 5X100 DACR
01.05.04	8650900.100	RIDUTTORE R=1:24 12W D.28 PREM.
01.05.05	8650900.020	FINECORSA 5,5MM PREM.
01.05.05.01	8650900.021	COLONNA SUPPORTO FINECORSA
01.05.05.02	8650900.025	MICROSWITCH V4NSUL CABLATO
01.05.05.03	V2B30D	VITE AUTFCC 2,2X 9,5 ZNB DIN7981
01.05.06	8650900.080	STEM STROKE 5,5 MM
01.05.07.01	8650900.011	GUSCIO INFERIORE MOTORID.
01.05.07.02	8650900.015	CIRCUITO MOTORID. 3F DOPPIO RELÈ
01.05.07.03	V2B30D	VITE AUTFCC 2,2X 9,5 ZNB DIN7981
01.05.08	8650900.016	CABLAGGIO FASTON 90° 2,8X0,5

REFERENCE	CODE	DESCRIPTION
01.05.10	G11019V	OR 1,78X6,07 VITON
01.05.11	4652900.012	FLAT WASHER 6X24X1,8
01.05.12	4652900.060	BLUE FLANGE
01.06	473001.550	PLUNGER KIT FOR 473001
01.07	465900.060	OR 1,78X18,77 70SHORE VITON
01.08	473001.051	SPRING DE 18.0X 30.0 F=2.2 INOX
	473001.A25	HOSETAIL D.25 FOR VALVE 473 + OR
	473001.A19	HOSETAIL D.19 FOR VALVE 473 + OR
	473001.A30	HOSETAIL D.30 FOR VALVE 473 + OR
	473001.A32	HOSETAIL D.32 FOR VALVE 473 + OR
02	473001.B30	THREADED HOSETAIL 3/4" M VALV.473+OR
	473001.B40	THREADED HOSETAIL 1" M X 473 + OR
	473001.B50	THREADED HOSETAIL 1" 1/4" M X 473 + OR
	473001.B45N	THREAD.HOSETAIL 1" F NPT X 473 + OR
	473001.C25	BENT HOSE PTG D.25 X VALVE473 W/OR
02.01	G11058V	OR 2,62X25,07 VITON
02.02	473001.125	HOSE BARB D.25 FOR VALVE 473