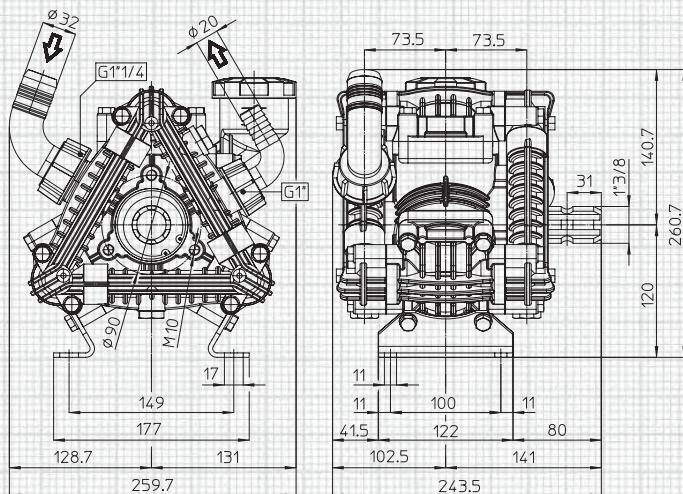


ZETA 70 max. 70.5 l/min - 18.6 GPM • 20 bar - 290 PSI • 550 RPM



alberi P. di F. disponibili available P.T.O. shaft



2 - 13



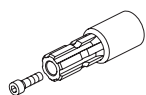
1

13

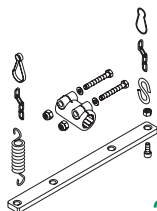
Per le dimensioni degli Alberi P. di F. vedi pag. 35

For P.T.O. Shaft dimensions see page 35

applicazioni shaft adaptors



1



2



13

| MOD. | RPM | 0 bar / 0 PSI | | | | 5 bar / 72 PSI | | | | 10 bar / 145 PSI | | | | 15 bar / 217 PSI | | | | 20 bar / 290 PSI | | | | Peso Weight |
|---------|------|-------------------|------|---------------|------|-------------------|------|---------------|------|-------------------|------|---------------|------|-------------------|------|---------------|------|-------------------|------|---------------|-----|-------------|
| | | Portata Flow rate | | Potenza Power | | Portata Flow rate | | Potenza Power | | Portata Flow rate | | Potenza Power | | Portata Flow rate | | Potenza Power | | Portata Flow rate | | Potenza Power | | |
| ZETA 70 | | l/min | GPM | HP | kW | l/min | GPM | HP | kW | l/min | GPM | HP | kW | l/min | GPM | HP | kW | l/min | GPM | HP | kW | 8.7 |
| | 400 | 51.5 | 13.6 | 0.5 | 0.4 | 49.1 | 13.0 | 1.0 | 0.7 | 48.8 | 12.9 | 1.4 | 1.0 | 48.4 | 12.8 | 1.9 | 1.4 | 48.1 | 12.7 | 2.5 | 1.9 | |
| | 450 | 57.6 | 15.2 | 0.6 | 0.4 | 55.1 | 14.6 | 1.1 | 0.8 | 54.6 | 14.4 | 1.6 | 1.1 | 54.1 | 14.3 | 2.2 | 1.6 | 53.8 | 14.2 | 2.8 | 2.1 | |
| | 500 | 63.5 | 16.8 | 0.6 | 0.5 | 61.2 | 16.2 | 1.2 | 0.9 | 60.8 | 16.1 | 1.7 | 1.6 | 60.4 | 16.0 | 2.4 | 1.8 | 60.0 | 15.9 | 3.2 | 2.3 | |
| 550 | 70.5 | 18.6 | 0.7 | 0.5 | 66.6 | 17.6 | 1.3 | 1.0 | 66.2 | 17.5 | 1.9 | 1.4 | 65.8 | 17.4 | 2.6 | 1.9 | 65.5 | 17.3 | 3.4 | 2.5 | | |